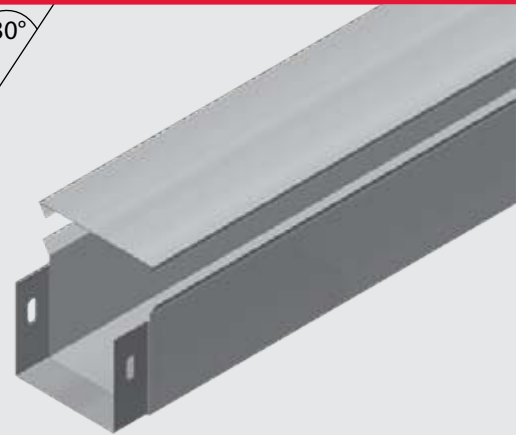
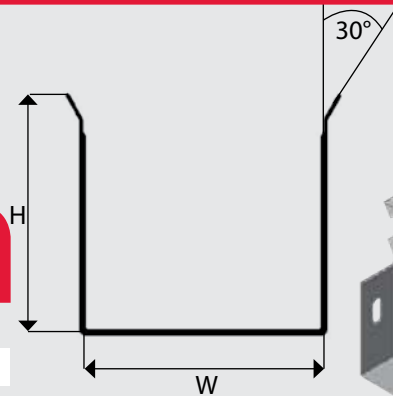


TRAY SYSTEMS — Metal Cable duct

CLIP ON LID METAL CABLE DUCT

Order fasteners separately for joining: M6 x 10 screw and M6 flanged nut, ordering code, **WIZ**

Code	Width W (mm)	Height H (mm)	Weight (kg)
duct5050m	50	50	2.74
duct7575m	75	75	3.89
duct100100m	100	100	5.03
duct150100m	150	100	8.23



PRODUCT DETAILS

Clip On Lid Cable Duct is manufactured from sheet steel and is used extensively across industry for the support and protection of lightweight cables. It's spring fit lid, together with in built splice ensures easy installation.

Pre-Galvanised to AS1397.

Supplied in standard **2.4m lengths**. Other sizes available against firm orders in minimum batch quantities of 100.

ORDERING DETAILS

Supplied per length

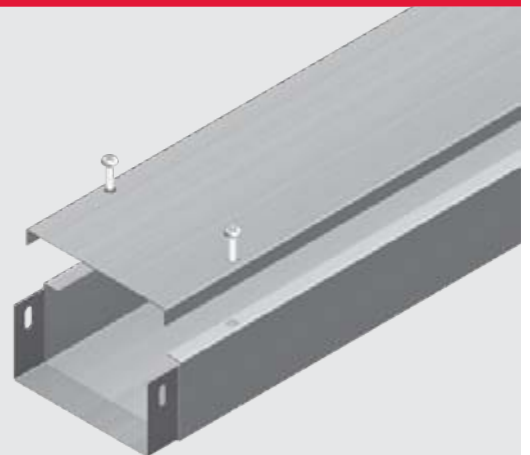
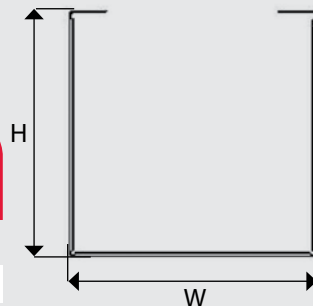
AVAILABLE FINISH

Pre-Galvanised

SCREW ON LID METAL CABLE DUCT

Order fasteners separately for joining: M6 x 10 screw and M6 flanged nut, ordering code, **WIZ**

Code	Width W (mm)	Height H (mm)	Weight (kg)
duct5050MS	50	50	2.98
duct7575MS	75	75	4.12
duct100100MS	100	100	5.27
duct150100MS	150	100	8.59



PRODUCT DETAILS

Screw On Lid Cable Duct is manufactured from sheet steel in the same manner as Clip On Lid with the added protection of a screw fixed lid. Each lid has 6 screw fixing points and is supplied with M6 fasteners to suit.

Pre-Galvanised to AS1397.

Supplied in standard **2.4m lengths**. Other sizes available against firm orders in minimum batch quantities of 100.

ORDERING DETAILS

Supplied per length

AVAILABLE FINISH

Pre-Galvanised